

## DW® UHDoC 5MP bullet camera with long-range lens

DWC-B6563WTIR650W



**UNIVERSAL HD COAX**

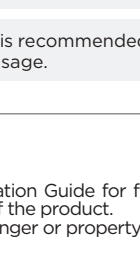


### WHAT'S IN THE BOX

Star Wrench (T-20)		1	Mounting template sheet		1
DC plug cable		1	Screws and plastic anchors (4pcs)		1 Set
Test video cable		1	Moisture absorber and absorber guide (recommended)		1 Set
Sunshield cover and adjusting screws		1 Set	Quick setup guide		1

**NOTE:** Download all your support materials and tools in one place

- Go to: <http://www.digital-watchdog.com/resources>
- Search your product by entering the part number in the 'Search by Product' search bar. Results for applicable part numbers will populate automatically based on the part number you enter.
- Click 'Search'. All supported materials, including manuals and quick start guide (QSGs) will appear in the results.



**Attention:** This document is intended to serve as a quick reference for the initial set-up. It is recommended that the user read the entire instruction manual for complete and proper installation and usage.

## SAFETY AND WARNING INFORMATION

Read through this Installation Guide carefully before installing the product. Keep the Installation Guide for future reference. See the user manual for more information on the proper installation, use and care of the product. These instructions are intended to ensure that users can use the product correctly to avoid danger or property loss. Warnings: Serious injury or death may occur if any of the warnings are neglected. Cautions: Injury or equipment damage may occur if any of the cautions are neglected.

### WARNING

- In the use of the product, you must be strict compliance with the electrical safety regulations of the nation and region. When the product is mounted on a wall or ceiling, the device shall be firmly fixed.
- Be sure to use only the standard adapter specified in the specification sheet. Using any other adapter could cause fire, electrical shock, or damage to the product.
- Make sure the power supply voltage is correct before using the camera.
- Incorrectly connecting the power supply or replacing the battery may cause an explosion, fire, electric shock, or damage to the product.
- Do not connect multiple cameras to a single adapter. Exceeding the capacity may cause excessive heat generation or fire.
- Securely plug the power cord into the power source. An insecure connection may cause a fire.
- When installing the camera, fasten it securely and firmly. A falling camera may cause personal injury.
- Do not install in a location subject to elevated temperature, low temperature, or high humidity. Doing so may cause fire or electric shock.
- Do not place conductive objects (e.g. screwdrivers, coins, metal items, etc.) or containers filled with water on top of the camera. Doing so may cause personal injury due to fire, electric shock, or falling objects.
- Do not install in humid, dusty, or sooty locations. Doing so may cause fire or electric shock.
- Do not install near any heat sources such as radiators, heat registers, or other products (including amplifiers) that produce heat.
- Keep out of direct sunlight and heat radiation sources. It may cause a fire.
- If any unusual smells or smoke come from the unit, stop using the product at once. Immediately disconnect the power source and contact the service center. Continued use in such a condition may cause fire or electric shock.
- If this product does not operate normally, contact the nearest service center. Never disassemble or change this product in any way.
- When cleaning the product, do not spray water directly onto parts of the product. Doing so may cause fire or electric shock.

### CAUTION

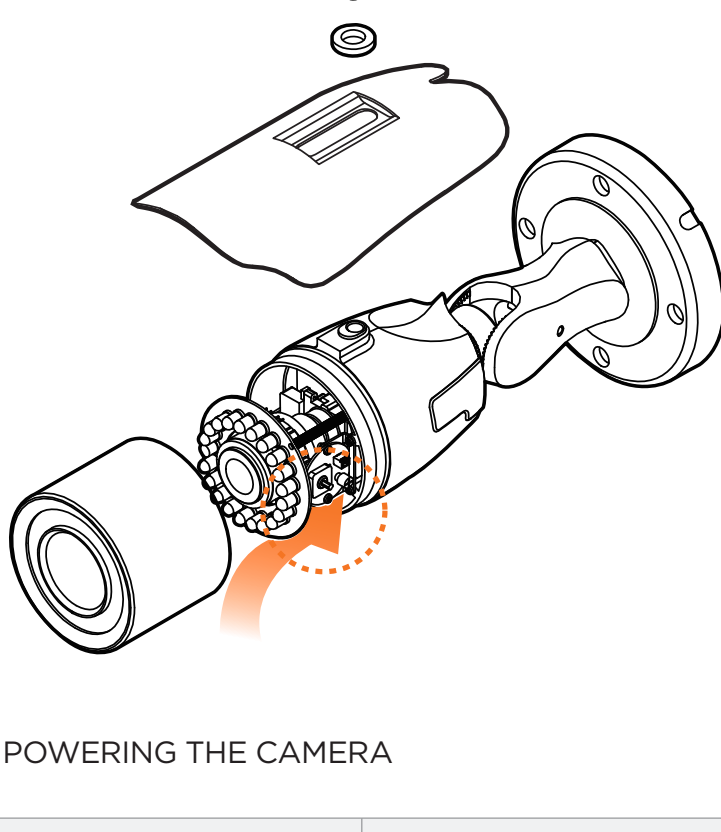
- Use proper safety gear when installing and wiring the product.
- Do not drop objects on the product or apply strong shock to it. Keep away from a location subject to excessive vibration or magnetic interference.
- Do not use this product near water.
- The product shall not be exposed to dripping or splashing and no objects filled with liquids, such as vases, shall be placed on the product.
- Avoid aiming the camera directly towards extremely bright objects such as the sun, as this may damage the image sensor.
- The Main plug is used as a disconnect device and shall stay readily operable at any time.
- Remove the power adapter from the outlet when there is lightning. Neglecting to do so may cause fire or damage to the product.
- Do not block any ventilation openings. Install following the manufacturer's instructions.
- A polarized or grounding-type plug is recommended for this product. A polarized plug has two blades with one wider than the other. A grounding-type plug has two blades and a third grounding prong. If the provided plug does not fit into your outlet, consult an electrician for replacement.
- Protect the power cord from being walked on or pinched particularly at plugs, convenience receptacles, and the point where they exit from the product.
- If any laser equipment is used near the product, make sure the surface of the sensor is not exposed to the laser beam as that may damage the sensor module.
- If you want to move the already installed product, be sure to turn off the power and then move or reinstall it.
- Proper configuration of all passwords and other security settings is the responsibility of the installer and/or end-user.
- If cleaning is necessary, please use a clean cloth to wipe it gently. If the device will not be used for a long time, please cover the lens cap to protect the device from dirt.
- Do not touch the camera's lens or sensor module with fingers. If cleaning is necessary, please use a clean cloth to wipe it gently. If the device will not be used for a long time, please cover the lens cap to protect the device from dirt.
- Use only attachments/accessories specified by the manufacturer.
- Always use hardware (e.g. screws, anchors, bolts, locking nuts, etc.) compatible with the mounting surface and of sufficient length and construction to ensure a secure mount.
- Use only with cart, stand, tripod, bracket, or table specified by the manufacturer, or sold with the product.
- Unplug this product when a cart is used. Use caution when moving the cart/product combination to avoid injury from tip-over.
- Refer all servicing to qualified service personnel. Servicing is needed when the product has been damaged in any way, such as power supply cord or plug is damaged, liquid has been spilled or objects have fallen into the product, the product has been exposed to rain or moisture, does not operate normally, or has been dropped.

## STEP 1 - PREPARING TO MOUNT THE CAMERA

- This product is intended to be supplied by a UL Listed Power Supply Unit marked "Class 2" or "LPS" or "PS2" and rated 12 Vdc, 0.53A min. or 24 Vac, 50/60Hz 0.39A min.
- Install the moisture packet in the base of the camera's lens.
  - Remove the moisture absorber from the packaging.
  - Cut the card and folder along the dotted line.
  - Place the moisture absorber behind the camera's lens module. See drawing for more information.

**NOTE:** The camera will generate enough heat to dry moisture during operation. In most cases it will not need the moisture absorber for more than the first day. In cases where the camera can experience a moisture issue, users must keep the moisture absorber in the camera. The moisture absorber has an approximately 6-month life cycle, varying depending on the environment.

**WARNING:** It is highly recommended that you install the moisture absorber when mounting the camera. The moisture absorber prevents moisture from being captured inside the camera's housing, which may cause image performance issues and damage the camera.



## STEP 2 - POWERING THE CAMERA

Power Requirements	Power Consumption
DC12V/AC24V dual voltage	DC12V (LED off): 3.3W (275mA) DC12V (LED on): 6.2W (531mA) AC24V (LED off): 2.86W (220mA) AC24V (LED on): 5.6W (390mA)

## STEP 3 - CHANGING THE CAMERA SIGNAL

- Enter the camera's OSD menu locally from the camera's joystick, or a recorder supporting UTC communication. Go to SETUP > OUTPUT > ANALOG MODE.

OUTPUT	
FRAME RATE	1440p 30
FREQ	60HZ
ANALOG MODE	HD_T
CONFIRM	OFF
RETURN	↓

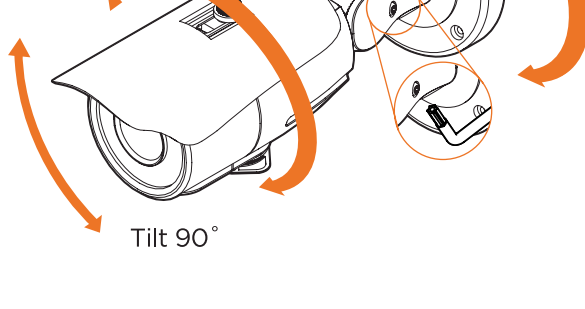
- Set the camera's signal:
  - HD-A: 5MP/1944p @ 20fps, 4MP/1440p @ 30fps, 2.1MP/1080p @ 30fps and 720p @ 30fps.
  - HD-T: 5MP/1944p @ 20fps, 4MP/1440p @ 30fps, 2.1MP/1080p @ 30fps and 720p @ 30fps.
  - HD-C: 4MP/1440p @ 30fps, 2.1MP/1080p @ 30fps and 720p @ 30fps.
  - CVBS: up to 960H @ 30fps
- Change CONFIRM to ON and press the joystick to save the changes.
- Go to the EXIT menu and select SAVE&EXIT to save all changes.

**NOTE:** The output is set to HD-Analog signal by default.

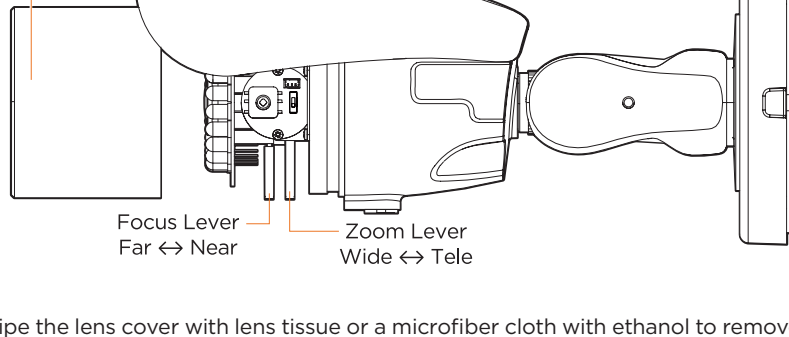
**NOTE:** A DVR that does not support 5MP resolution may recognize the camera, but will not deliver a picture. To lower the camera's resolution, use the CVBS test output or a DVR supporting the max resolution.

## STEP 4 - INSTALLING THE CAMERA

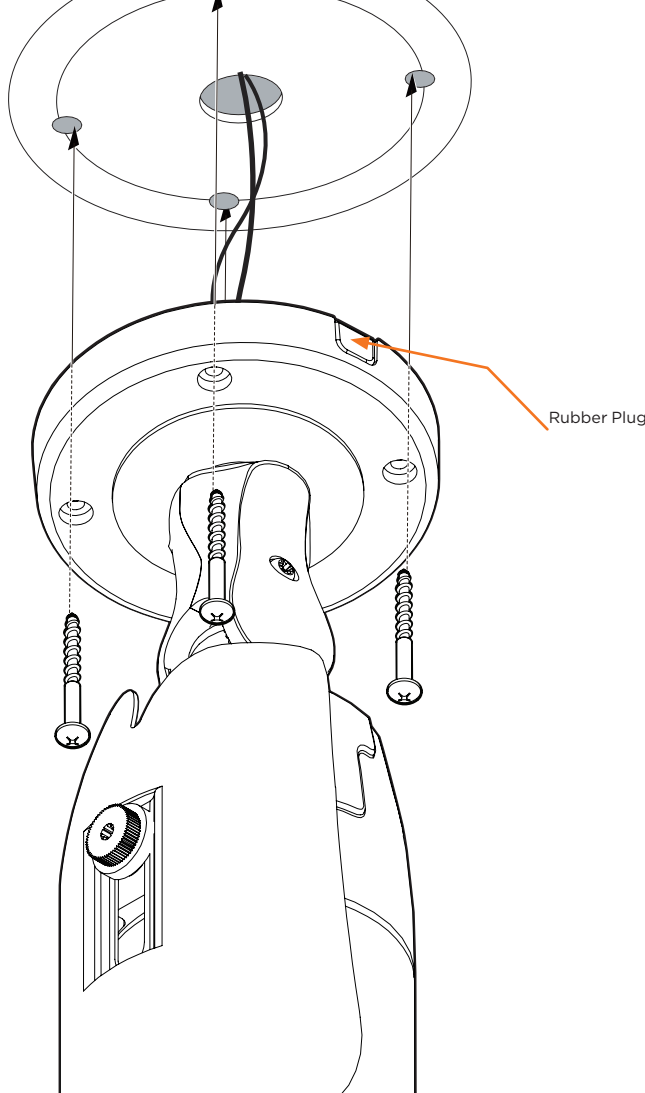
- Use the screws included to mount and secure the camera to the mounting surface.
- Loosen the tilt screws on the camera's bracket to adjust the camera's tilt and pan



- To adjust the camera's focus and zoom, remove the lens cover. Unlock the zoom and focus screws by rotating them counterclockwise. When done, tighten the screws and close the front case by rotating it clockwise.



- Softly wipe the lens cover with lens tissue or a microfiber cloth with ethanol to remove any dust or smudges left from the installation process.



**NOTE:** Remove the rubber plug on the side of the camera's bracket and use the gap as a cable guide to prevent cables from getting caught between the camera and the mounting surface.