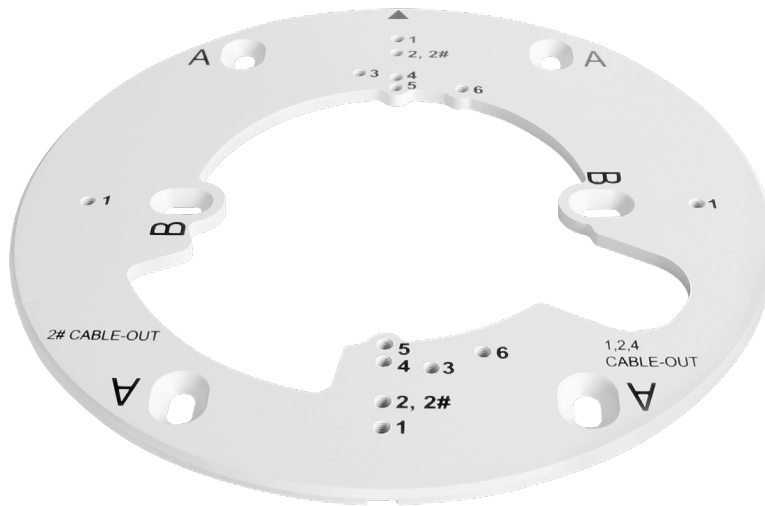


Converter plate for electronic gang box

DWC-GPLT-W



WHAT'S IN THE BOX

Option A Installation Screws		4	Camera Mounting Screws		4 sets
Option B Installation Screws		2	Cover Ring		1

NOTE: Download all your support materials and tools in one place.

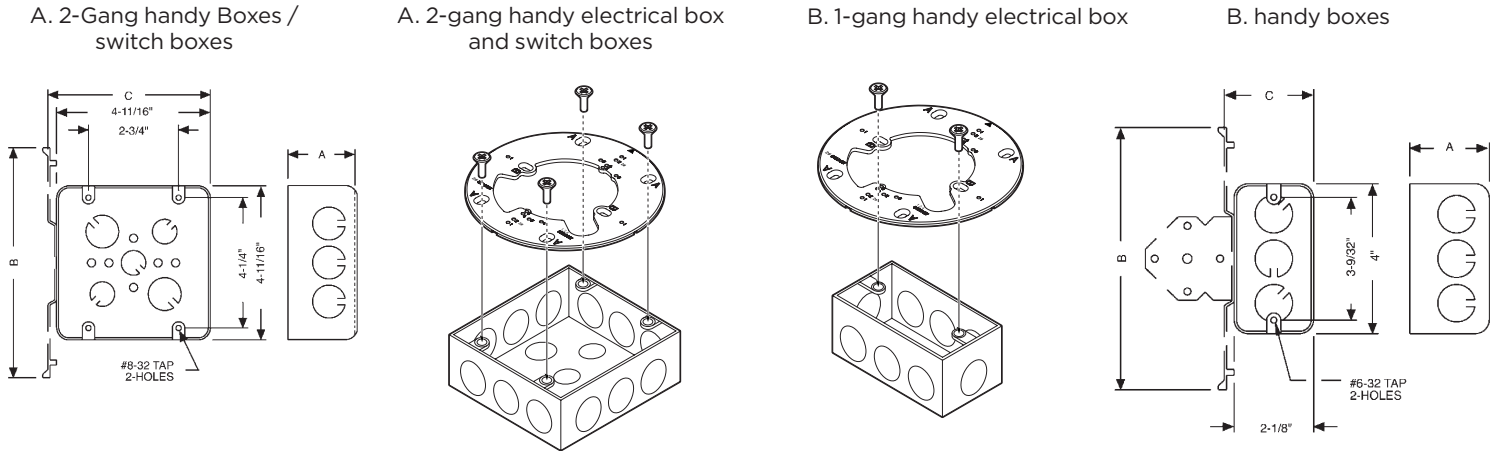
1. Go to: <http://www.digital-watchdog.com/resources>
2. Search your product by entering the part number in the 'Search by Product' search bar. Results for applicable part numbers will populate automatically based on the part number you enter.
3. Click 'Search'. All supported materials, including manuals and quick start guide (QSGs) will appear in the results.



INSTALLATION

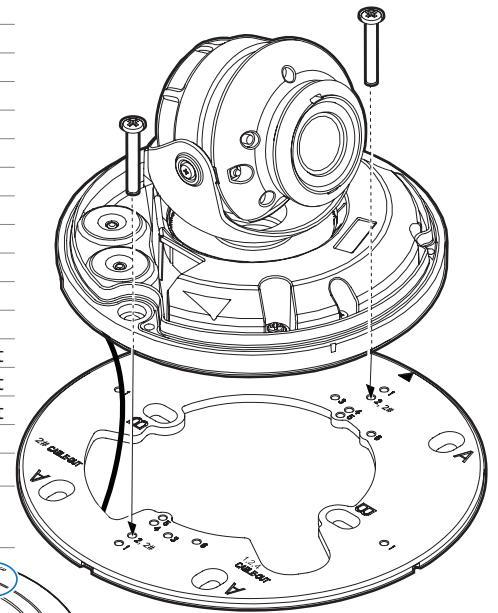
1. Connect the converter plate to an electric gang box.

- ☒ Use the 4 screws (A) included with the converter plate when using a 2-gang handy electrical box or switch box.
- ☒ Use the 2 screws (B) included with the converter plate when using a 1-gang handy electrical box.

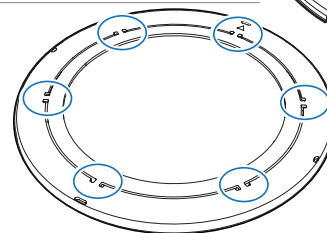


2. Pass wires through and make the connections. Use the CABLE-OUT spaces in the converter plate.
 3. Follow the table below to connect the camera to the appropriate mounting points and which screws to use.

Mounting holes	Compatible cameras	Screw size
Mounting point 1	DWC-V4 models	20mm screws
	DWC-MV4 models	20mm screws
	DWC-V6 models	20mm screws
Mounting point 2, 2#	DWC-MF and DWC-MPF models	20mm screws
	DWC-MV8 and DWC-MPV8 models	23mm screws
	DWC-MVC and DWC-MPVC models	20mm screws
	DWC-MVD and DWC-MPVD models	35mm screws
	DWC-PVF and DWC-PPVF models	20mm screws
	DWC-MV7 and DWC-MPV7 models	20mm screws
Mounting point 4	DWC-V7 models	20mm screws
	DWC-XSDA models	10 mm screws
	DWC-MVA and DWC-MPVA models	20mm screws
	DWC-VA models	20mm screws
	DWC-D4 models	20mm screws
	DWC-MF and DWC-MPF models OLD HARDWARE	20mm screws + rubber gasket
	DWC-MV8 and DWC-MPV8 models OLD HARDWARE	20mm screws + rubber gasket
DWC-PVF and DWC-PPVF models OLD HARDWARE	20mm screws + rubber gasket	
Mounting point 5	DWC-D3 models	20mm screws
	DWC-MD7 models	20mm screws
Mounting point 6	DWC-MD4 models	20mm screws



4. Add the cover ring over the converter plate. Align the arrow on the converter plate and the cover and secure until the cover "clicks" into place.
 5. Mount the camera to the upper side of the converter plate.



*** NOTE: How to tell what MF, V8 or PVF hardware you have:**
 If the camera's mounting holes are on the outer edge of the camera's base, use mounting points "2, #2" WITHOUT the rubber gaskets.
 If the camera's mounting holes are on the inner edge of the camera's base, use mounting points "4" WITH the rubber gaskets.