

MEGAPIX[®] Ai CAAS[™]

Camera as a System with Next-generation Video Analytics

DWC-XSBC08BiCx | 4K bullet IP camera with Ai, x= storage size



Default Login Information: admin | admin

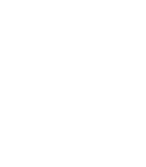
When logging into the camera for the first time, you must set up a new password. You can set the new password using the DW[®] IP Finder[™] software or directly from the camera's browser menu.

WHAT'S IN THE BOX

Quick Setup and Download Guide		1	Screws and Plastic Anchors - 4pcs		1 set
Mounting Template		1	Star Wrench (T10, T20)		1
Test Video Cable		1	Moisture Absorber and Guide (Recommended)		1 set
Waterproof Cap and Rubber Rings (Black: ø0.15" (ø4mm), White: ø0.19" (ø5mm))		1 set			

NOTE: Download all your support materials and tools in one place

- Go to: <http://www.digital-watchdog.com/resources>
- Search your product by entering the part number in the 'Search by Product' search bar. Results for applicable part numbers will populate automatically based on the part number you enter.
- Click 'Search'. All supported materials, including manuals and quick start guide (QSGs) will appear in the results.

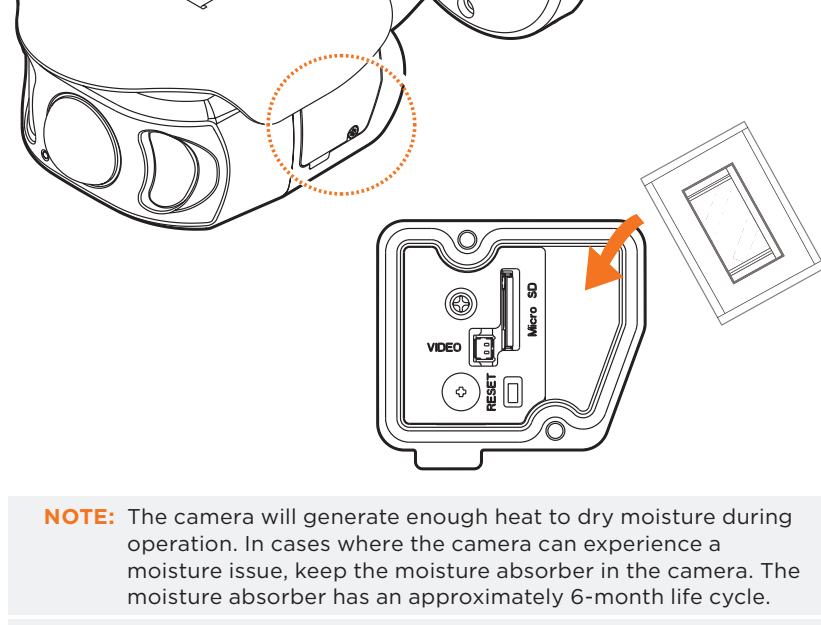


Attention: This document is intended to serve as a quick reference for the initial set-up. It is recommended that the user read the entire instruction manual for complete and proper installation and usage.

STEP 1 - PREPARING TO MOUNT THE CAMERA

1. Install the Dessicant Pack (moisture absorber):

- Remove the Dessicant Pack from its shipping packaging.
- Open the camera's control panel on the side of the camera.
- Remove the Dessicant Pack used for shipping and place the new Dessicant Pack in the location shown in the illustration below.
- Close the camera control panel tightly.

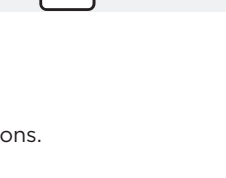


NOTE: The camera will generate enough heat to dry moisture during operation. In cases where the camera can experience a moisture issue, keep the moisture absorber in the camera. The moisture absorber has an approximately 6-month life cycle.

WARNING: Install the moisture absorber when mounting the camera to prevent image performance issues and damage to the camera.

2. Using the mounting template sheet or the camera itself, mark and drill the necessary holes in the wall or ceiling.

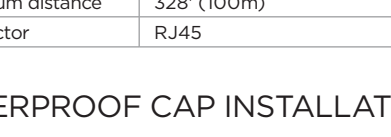
Resetting the camera: Use the tip of a paper clip or a pencil and press the reset button for five (5) seconds to initiate a camera-wide reset of all the settings, including network settings.



STEP 2 - POWERING THE CAMERA

Pass the wires through and make all necessary connections.

Use a PoE Injector (required. Sold separately) to connect data and power to the camera using a single Ethernet cable.



Use non-PoE Switch to connect data using and Ethernet cable and use a power adapter to power the camera.



OR

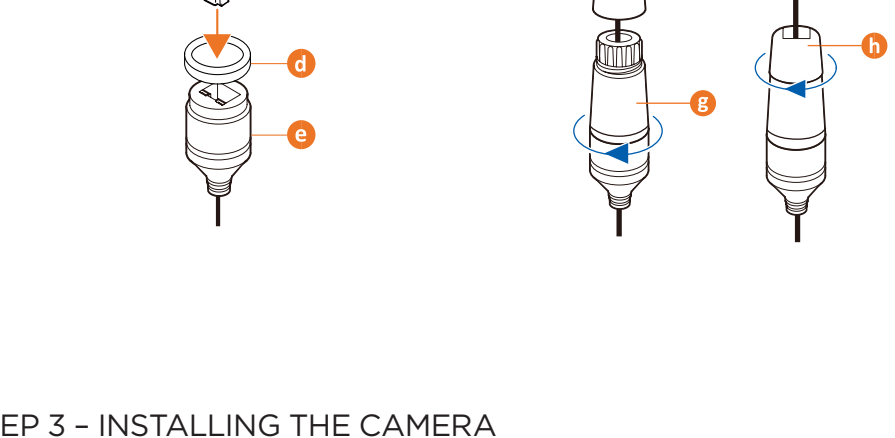
Power information	
Power requirements	DC12V, PoE (IEEE 802.3af class 3), Adapter not included.
Power consumption	DC12V: max 21.9W, 1.83A, PoE: max 9.2W, 200mA
Maximum distance	328' (100m)
Connector	RJ45

WATERPROOF CAP INSTALLATION

The waterproof cap set comes with two rubber rings. Use the rubber ring best sized for your network cable's diameter.

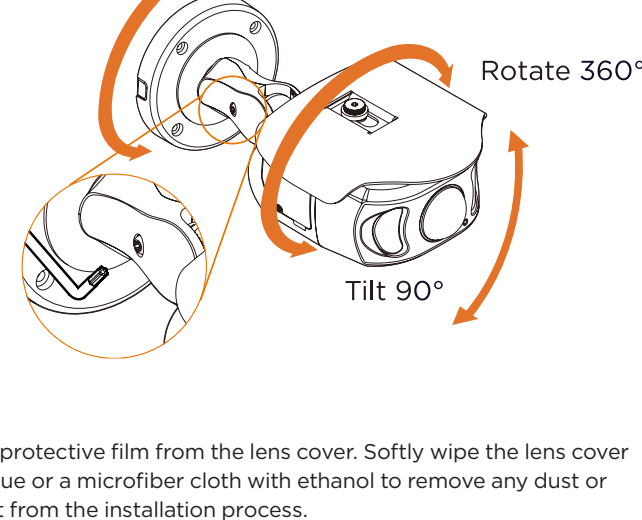
NOTE: Cables with ø4.5mm to ø5.5mm thickness should use the black rubber ring. Cables over ø5.5mm in thickness should use the white rubber ring.

NOTE: To ensure moisture seal, make sure the o-ring **d** is in place between **c** and **e**. In extreme environments use of an outdoor rated sealer is recommended.

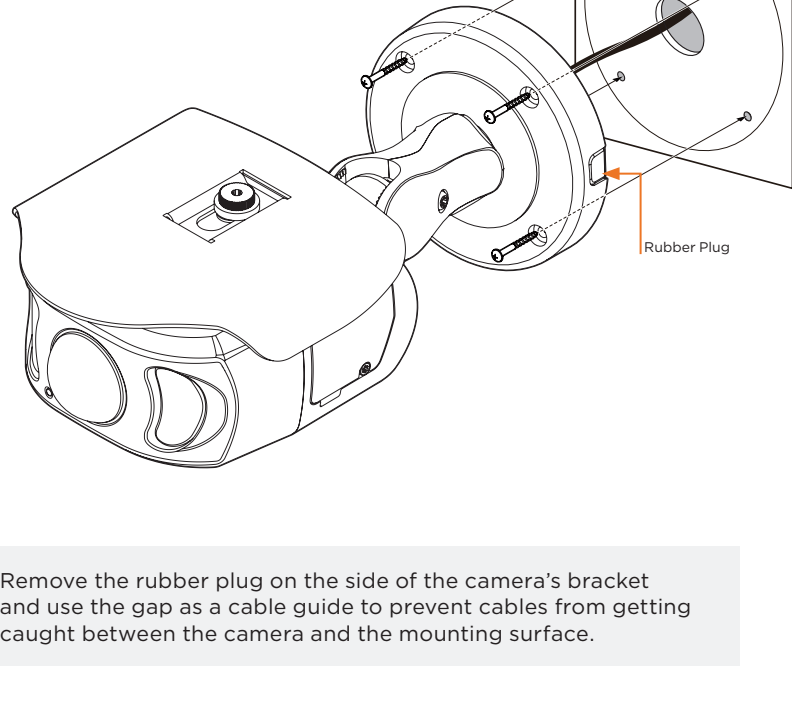


STEP 3 - INSTALLING THE CAMERA

- Secure the camera to the mounting surface using the included screws.
- Loosen the pan and tilt screw on the camera's bracket to adjust the camera's view and position.



- Remove the protective film from the lens cover. Softly wipe the lens cover with lens tissue or a microfiber cloth with ethanol to remove any dust or smudges left from the installation process.

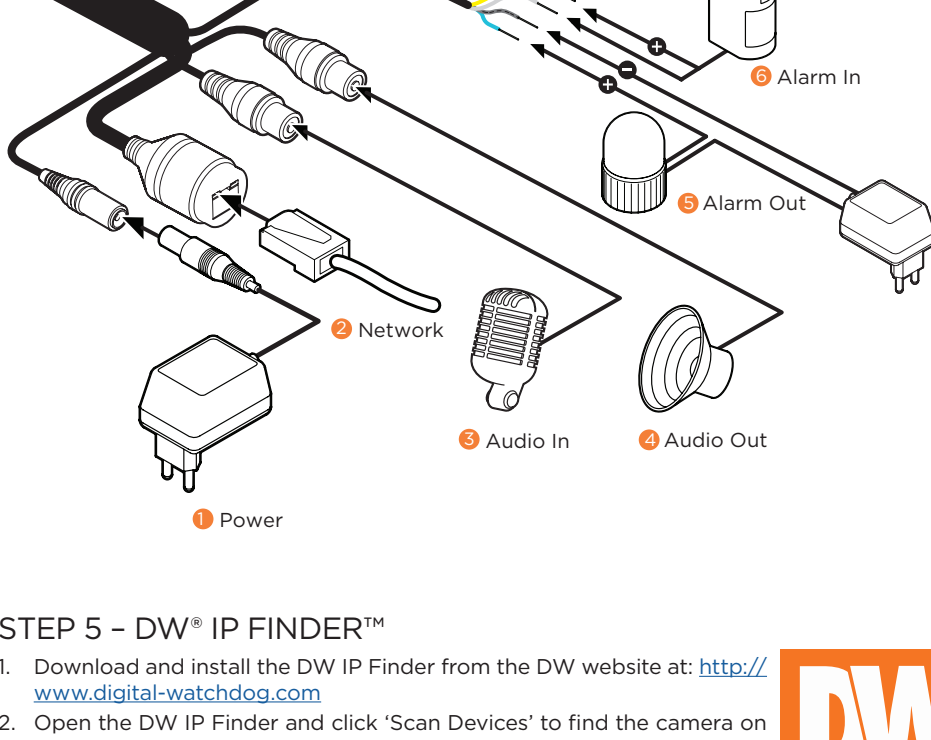


NOTE: Remove the rubber plug on the side of the camera's bracket and use the gap as a cable guide to prevent cables from getting caught between the camera and the mounting surface.

STEP 4 - CABLING

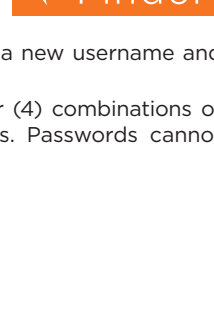
Use the diagram below to connect power, network and external devices such as audio input and output, alarm and sensors to the camera.

DIN (+)	WHITE	
DIN (-)	YELLOW	
DOUT (-)	SKY BLUE	
DOUT (+)	GRAY + DOT	

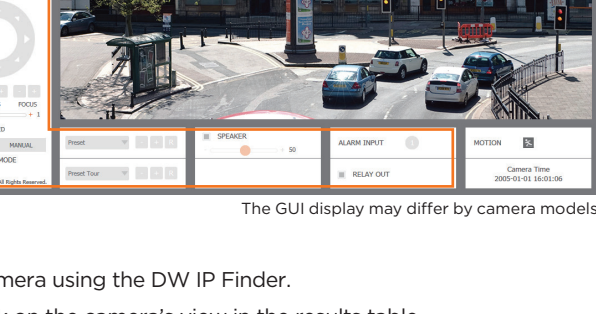


STEP 5 - DW[®] IP FINDER[™]

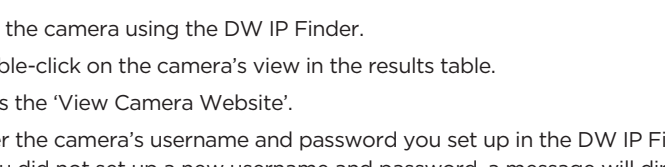
- Secure the camera to the mounting surface using the included screws.
- Loosen the pan and tilt screw on the camera's bracket to adjust the camera's view and position.
- Remove the protective film from the lens cover. Softly wipe the lens cover with lens tissue or a microfiber cloth with ethanol to remove any dust or smudges left from the installation process.



- Find the camera using the DW IP Finder.
- Double-click on the camera's view in the results table.
- Press the "View Camera Website".
- Enter the camera's username and password you set up in the DW IP Finder. If you did not set up a new username and password, a message will direct you to set up a new password for the camera to view the video.

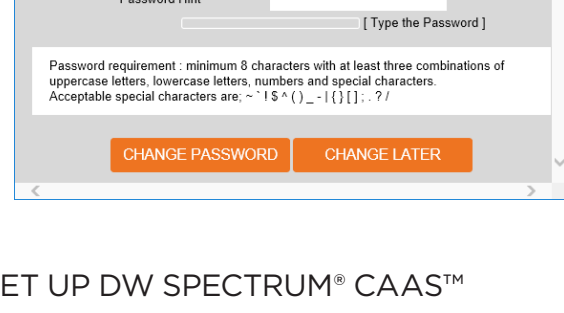


STEP 6 - WEB VIEWER



The GUI display may differ by camera models.

- Find the camera using the DW IP Finder.
- Double-click on the camera's view in the results table.
- Press the "View Camera Website".
- Enter the camera's username and password you set up in the DW IP Finder. If you did not set up a new username and password, a message will direct you to set up a new password for the camera to view the video.



STEP 7 - SET UP DW SPECTRUM[®] CAAS[™]

To complete the DW Spectrum[®] CaaS[™] server's set up and start recording, see the DW Spectrum[®] CaaS[™] QSG for additional information.

NOTE: Please see the full product manual for web viewer setup, functions and camera settings options.

NOTE: This products is covered by one or more claims of the HEVC Patents listed at patentlist.accessadvantage.com.

