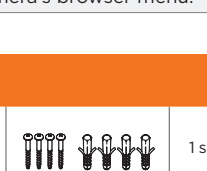
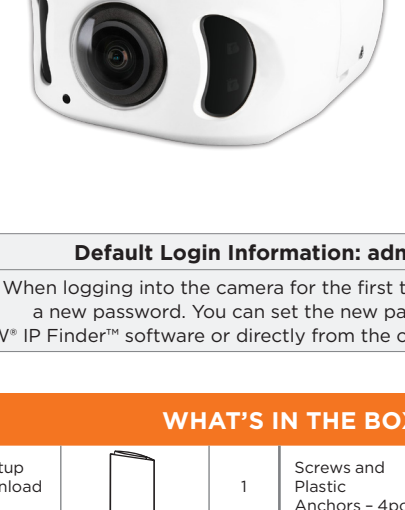


MEGAPIX Ai™

Next-generation video analytics

DWC-XSBC08Bi



Default Login Information: admin | admin

When logging into the camera for the first time, you must setup a new password. You can set the new password using the DW® IP Finder™ software or directly from the camera's browser menu.

WHAT'S IN THE BOX

| | | | | | |
|--|--|-------|---|--|-------|
| Quick Setup and Download Guide | | 1 | Screws and Plastic Anchors - 4pcs | | 1 set |
| Mounting Template | | 1 | Star Wrench (T10, T20) | | 1 |
| Test Video Cable | | 1 | Moisture Absorber and Guide (Recommended) | | 1 set |
| Waterproof Cap and Rubber Rings (Black: ø0.15" (ø4mm), White: ø0.19" (ø5mm)) | | 1 set | | | |

NOTE: Download all your support materials and tools in one place

- Go to: <http://www.digital-watchdog.com/resources>
- Search your product by entering the part number in the 'Search by Product' search bar. Results for applicable part numbers will populate automatically based on the part number you enter.
- Click 'Search'. All supported materials, including manuals and quick start guide (QSGs) will appear in the results.

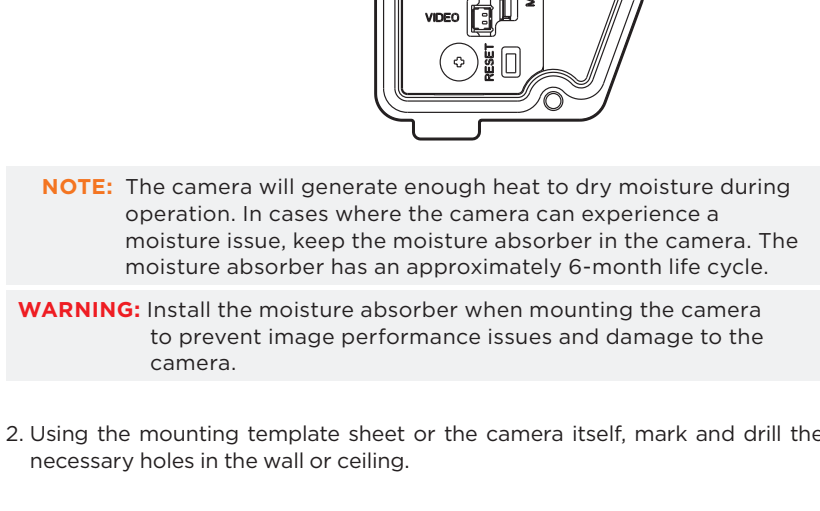


Attention: This document is intended to serve as a quick reference for the initial set-up. It is recommended that the user read the entire instruction manual for complete and proper installation and usage.

STEP 1 - PREPARING TO MOUNT THE CAMERA

1. Install the Dessicant Pack (moisture absorber):

- Remove the Dessicant Pack from its shipping packaging.
- Open the camera's control panel on the side of the camera.
- Remove the Dessicant Pack used for shipping and place the new Dessicant Pack in the location shown in the illustration below.
- Close the camera control panel tightly.

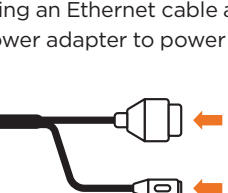


NOTE: The camera will generate enough heat to dry moisture during operation. In cases where the camera can experience a moisture issue, keep the moisture absorber in the camera. The moisture absorber has an approximately 6-month life cycle.

WARNING: Install the moisture absorber when mounting the camera to prevent image performance issues and damage to the camera.

2. Using the mounting template sheet or the camera itself, mark and drill the necessary holes in the wall or ceiling.

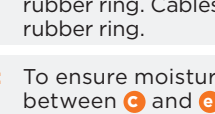
Resetting the camera: Use the tip of a paper clip or a pencil and press the reset button for five (5) seconds to initiate a camera-wide reset of all the settings, including network settings.



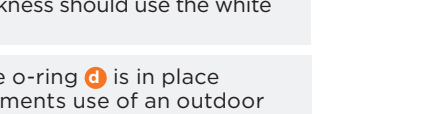
STEP 2 - POWERING THE CAMERA

Pass the wires through and make all necessary connections.

Use a PoE Injector (required. Sold separately) to connect data and power to the camera using a single Ethernet cable.



Use non-PoE Switch to connect data using an Ethernet cable and use a power adapter to power the camera.



OR

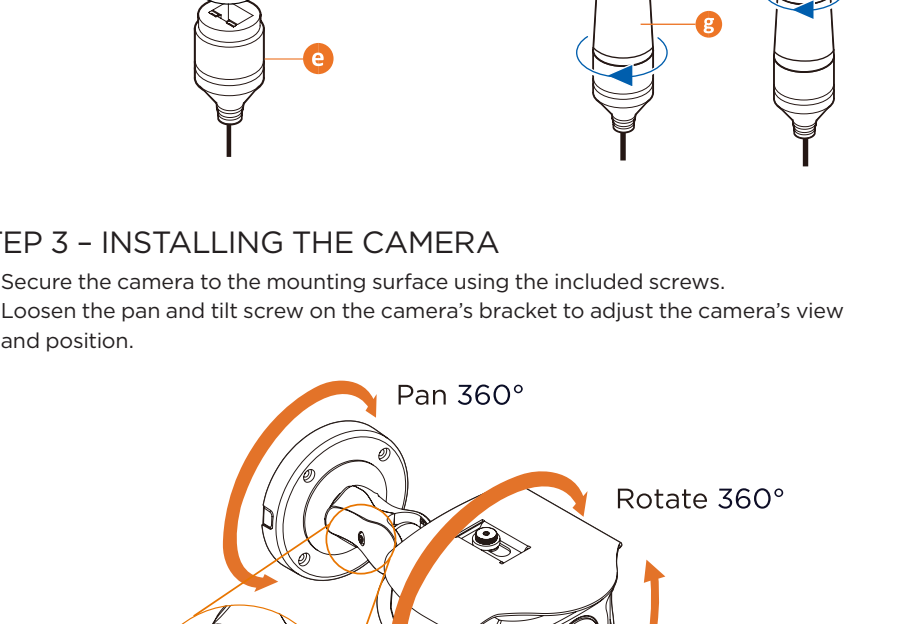
| Power requirements | Power consumption |
|-----------------------------------|---|
| DC12V, PoE, adapter not included. | DC12V: max 21.9W, 1.83A PoE: max 9.2W, 190mA |

WATERPROOF CAP INSTALLATION

The waterproof cap set comes with two rubber rings. Use the rubber ring best sized for your network cable's diameter.

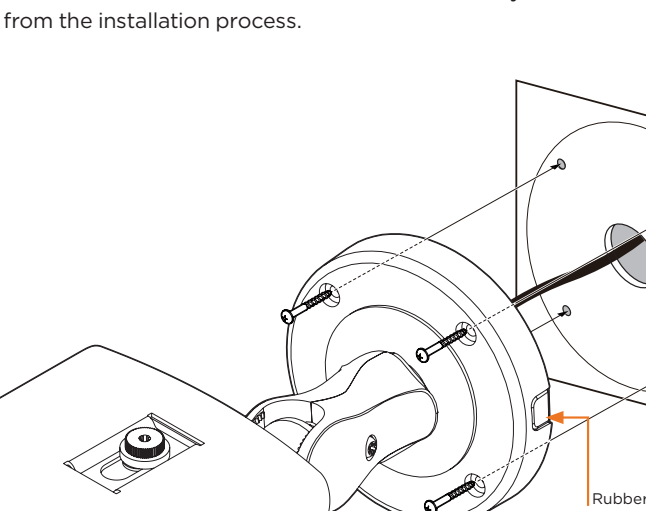
NOTE: Cables with ø4.5mm to ø5.5mm thickness should use the black rubber ring. Cables over ø5.5mm in thickness should use the white rubber ring.

NOTE: To ensure moisture seal, make sure the o-ring is in place between c and e. In extreme environments use of an outdoor rated sealer is recommended.

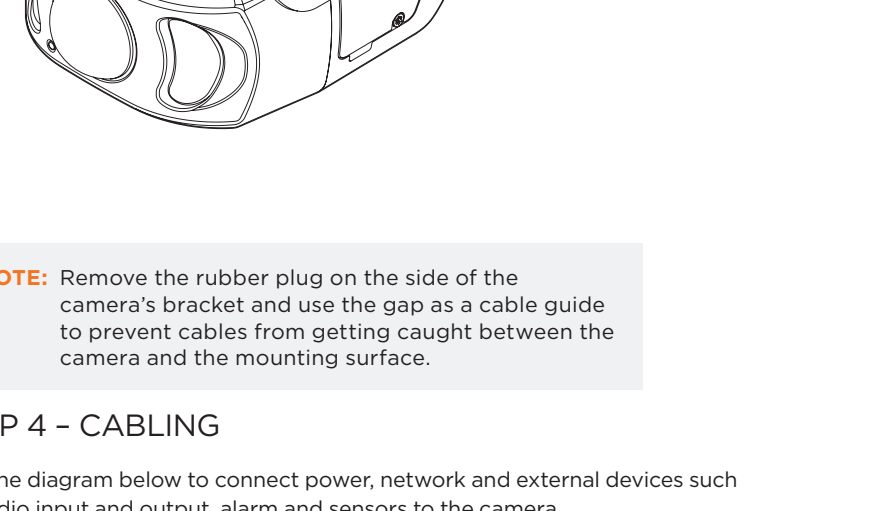


STEP 3 - INSTALLING THE CAMERA

- Secure the camera to the mounting surface using the included screws.
- Loosen the pan and tilt screw on the camera's bracket to adjust the camera's view and position.



- Remove the protective film from the lens cover. Softly wipe the lens cover with lens tissue or a microfiber cloth with ethanol to remove any dust or smudges left from the installation process.

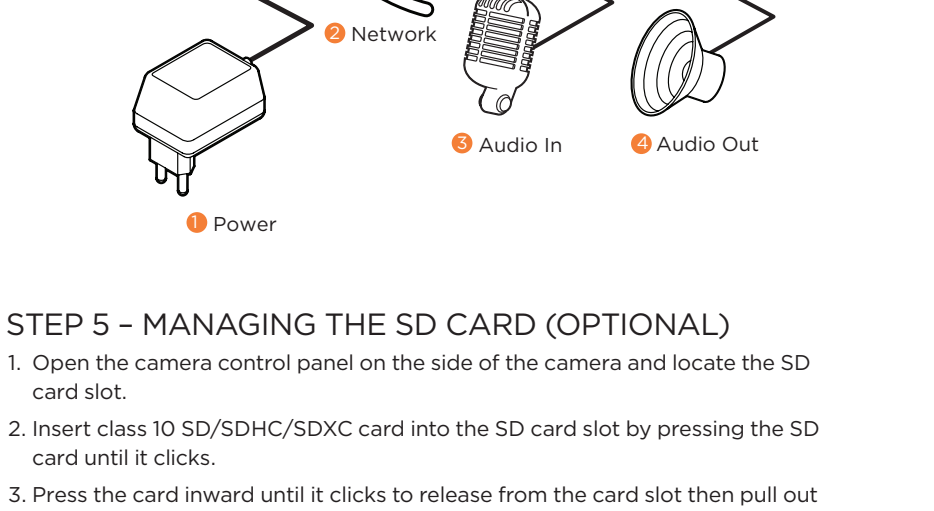


NOTE: Remove the rubber plug on the side of the camera's bracket and use the gap as a cable guide to prevent cables from getting caught between the camera and the mounting surface.

STEP 4 - CABLING

Use the diagram below to connect power, network and external devices such as audio input and output, alarm and sensors to the camera.

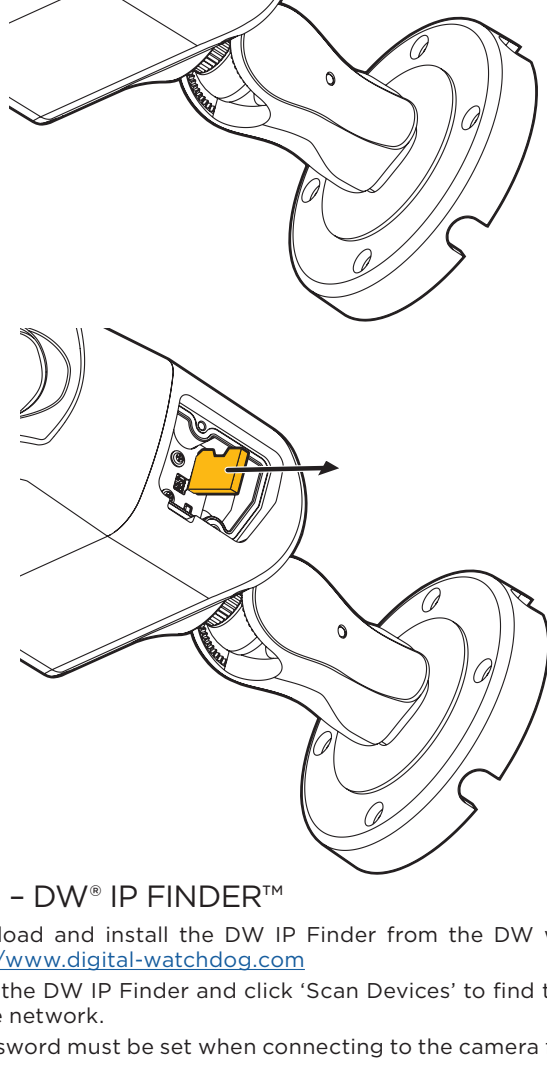
| | | | |
|----------|------------|----|-----------|
| DIN (+) | WHITE | NO | Alarm In |
| DIN (-) | YELLOW | NC | Alarm Out |
| DOUT (-) | SKY BLUE | | |
| DOUT (+) | GRAY + DOT | | |



STEP 5 - MANAGING THE SD CARD (OPTIONAL)

- Open the camera control panel on the side of the camera and locate the SD card slot.
- Insert class 10 SD/SDHC/SDXC card into the SD card slot by pressing the SD card until it clicks.
- Press the card inward until it clicks from the card slot then pull out from the slot.

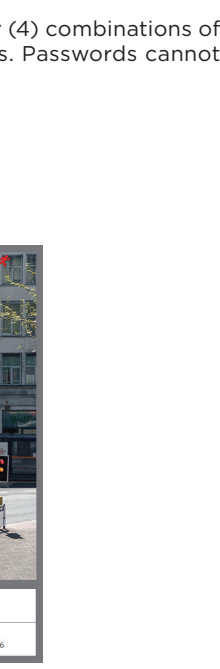
NOTE: Maximum SD Card size supported: Up to 1TB micro SD / FAT32. When inserting the SD card into the card slot, the SD card's contacts should be facing upward, as shown in the diagram.



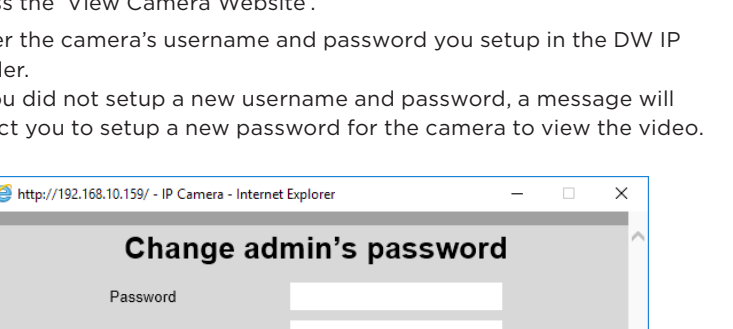
STEP 6 - DW® IP FINDER™

- Download and install the DW IP Finder from the DW website at: <http://www.digital-watchdog.com>
- Open the DW IP Finder and click 'Scan Devices' to find the camera on the network.
- A password must be set when connecting to the camera for the first time.
 - Check the box next to the camera.
 - Click "Bulk Password Assign" on the left.
 - Enter admin/admin for the current username and password. Enter a new username and password to the right.

Password must have at least eight (8) characters and at least four (4) combinations of uppercase and lowercase letters, numbers and special characters. Passwords cannot contain the user ID.
 - Click "change" to apply all changes.



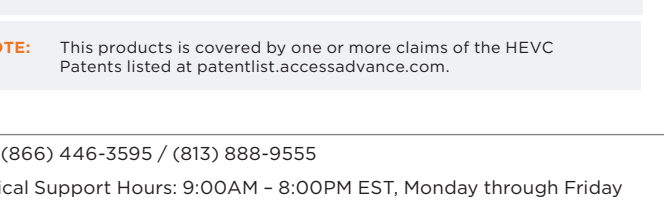
STEP 7 - WEB VIEWER



The GUI display may differ by camera models.

- Find the camera using the DW IP Finder.
- Double-click on the camera's view in the results table.
- Press the 'View Camera Website'.
- Enter the camera's username and password you setup in the DW IP Finder.

If you did not setup a new username and password, a message will direct you to setup a new password for the camera to view the video.



NOTE: Please see the full product manual for web viewer setup, functions and camera settings options.

NOTE: This products is covered by one or more claims of the HEVC Patents listed at patentlist.accessadvance.com.

